

ROOFERS CHOICE

JUAL HORIZONTAL OUTLET FOR FLAT ROOF WITH 1 LAYER OF BITUMEN MEMBRANE



INSTALLATION INSTRUCTION

INSTALLATION INSTRUCTION

JUAL HORIZONTAL OUTLET



- FOR FLAT ROOFS WITH 1 LAYER OF BITUMEN MEMBRANE

1. Check that the horizontal outlet is intact upon receipt.
2. Mark up on the cleaned roof surface where the horizontal outlet should be placed.
3. Make a cutout in the roof surface or the insulation for the outlet.
Cutout width: 60 cm. Distance from the vertical surface 30 cm. Depth: minimum 1 cm.
N.B. The outlet must be installed with a slant of minimum 1° to avoid water backflow.
4. Place a 60 cm x 60 cm bitumen sheet in the cutout and on the vertical surface. Fix the sheet by torching.
5. Cut a hole for the outlet pipe .
6. Make an unbroken mastic seal around the hole for flame stop.
7. The horizontal outlet is now inserted in the cutout and in the horizontal hole.
N.B. The roof outlet's flange must be fully supported by even surfaces both horizontally and vertically.
8. Fasten the horizontal roof outlet through the holes in the corners of the steel flange.
9. Torch the roof outlet's bitumen membrane to the bitumen sheet which was placed in the cutout (see section 4).
10. If the horizontal roof outlet comes with a bitumen membrane which is not UV-resistant, now weld a sheet of UV-resistant bitumen membrane, 60 cm x 60 cm, on top of the installed roof outlet.

Torch the roof's membrane lengths onto the outlet with an offset of 10 cm from the edge of the cutout – leaving approx. 40 cm x 20 cm without additional membrane. See figure 1.

The bitumen membrane lengths must be joined with overlaps. See figure 1.

INSTALLATION INSTRUCTION

JUAL HORIZONTAL OUTLET

- FOR FLAT ROOFS WITH 1 LAYER OF BITUMEN MEMBRANE



IMPORTANT
Joint with
overlap

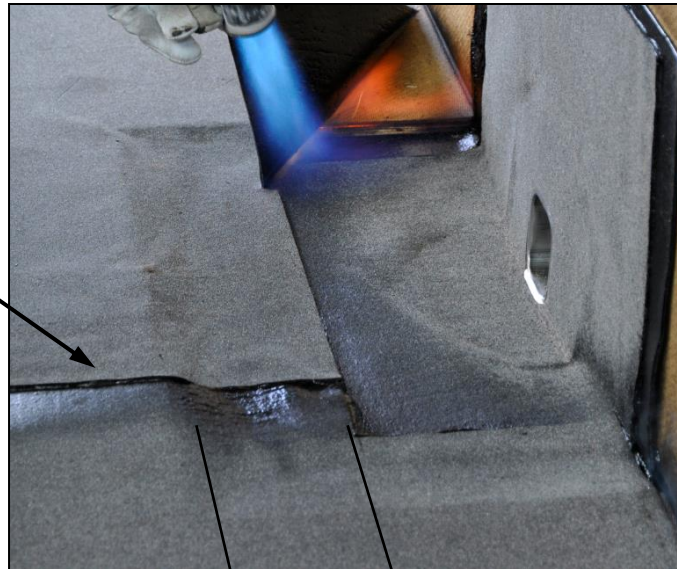


Figure 1

10 cm
offset

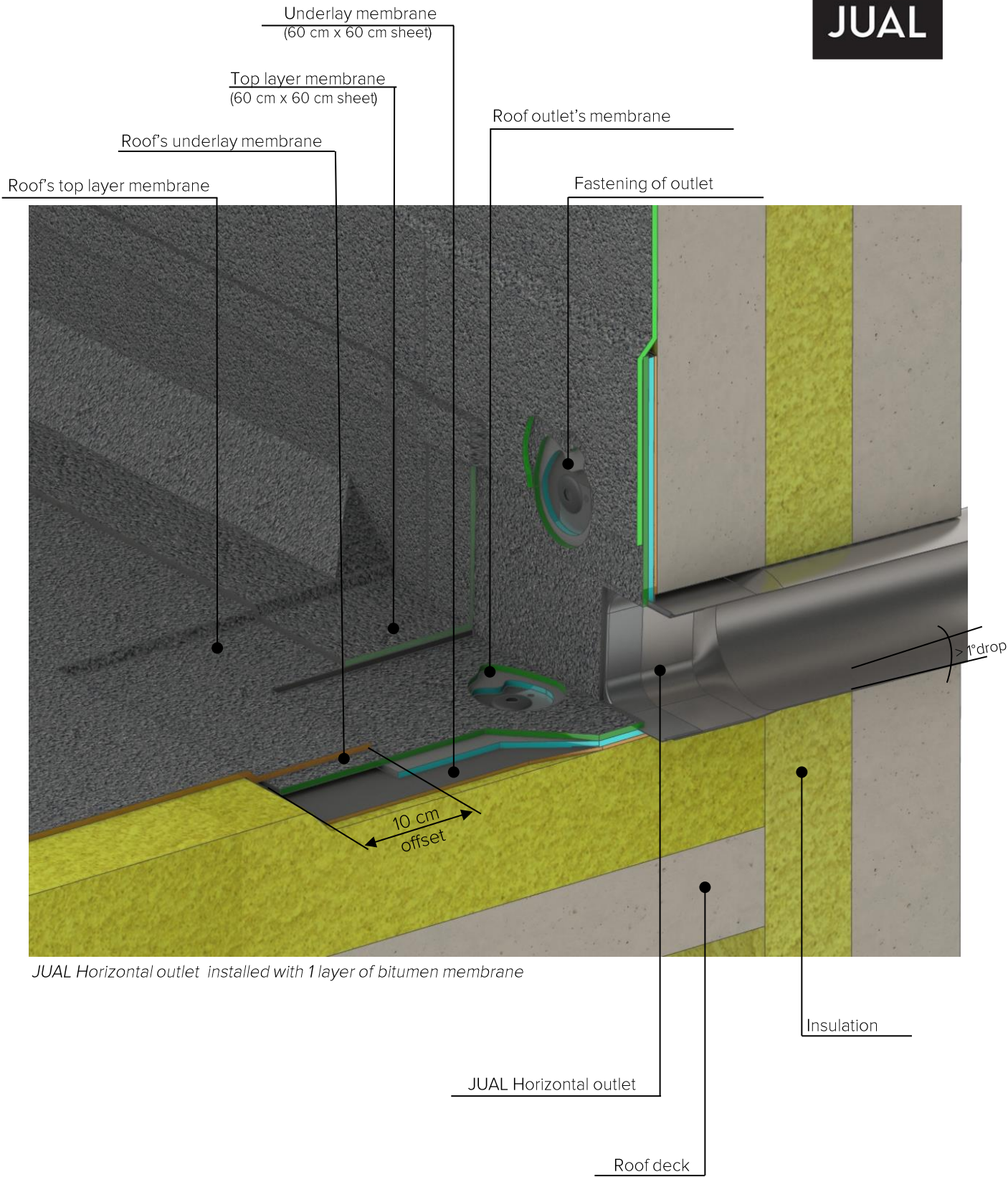
11. Install a JUAL horizontal leaf grate.
12. JUAL horizontal outlet is now fully installed.

IMPORTANT

By installation of a roof outlet you should never weld with a burner head larger than $\varnothing 45$ in order to limit the heat and to avoid that the roof outlet's membrane detaches from the steel flange in or around the 90° bend.

A precondition for safe installation of roof outlets is that the bitumen membrane on the roof around the roof outlet has been installed and fastened correctly according to the industry and/or manufacturer recommendations.

To ensure the functionality of the roof outlet after installation, the outlet and the leaf grate must be clean and water must have free passage to the drain.



JUAL Horizontal outlet installed with 1 layer of bitumen membrane